

# SAM<sup>®</sup> 3

The SAM<sup>®</sup> 3 Articulator is noted for its high precision and functionality. The materials used and the workmanship are second to none. Like all SAM<sup>®</sup> Articulators, the SAM<sup>®</sup> 3 is also Arcon type and with the same lower to upper cast 3D relationships.

A precision conical ball bearing centric locking mechanism assures the highest precision centric locking available with complete freedom when unlocked.

Also, all inserts are independent of the centric locking mechanism. Condylar pathway and Bennett Guidance can be exchanged easily. Special clear polycarbonate condylar element covers serve to keep upper and lower members together when so desired. Optional protrusion/retrusion screw assemblies are available.



Illustration  
SAM<sup>®</sup> 3 Professional

## **SAM<sup>®</sup> 3 Basic**

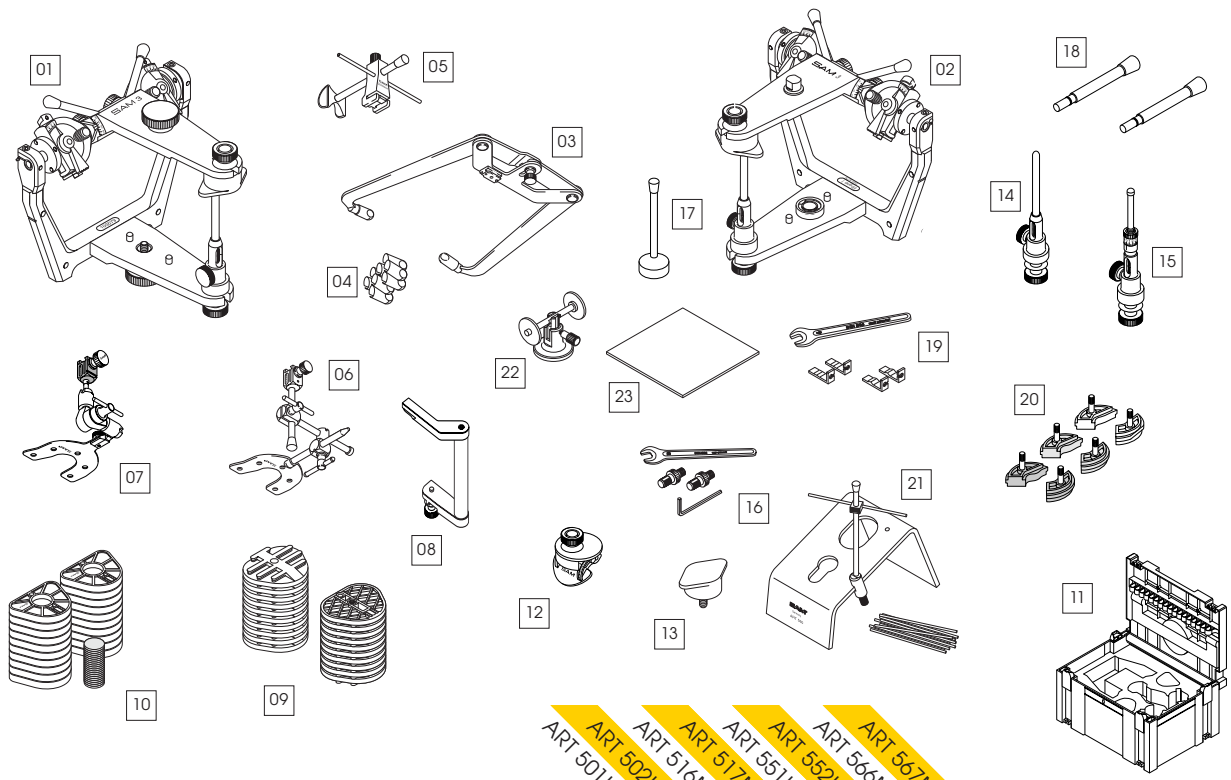
Condylar Housing Pathway Inserts green (Curvature 2), Bennett guidance from metal (even), incisal table flat

## **SAM<sup>®</sup> 3 Standard**

Condylar Housing Pathway Inserts green (Curvature 2), Bennett guidance from metal (even), incisal table flat Protrusion adjustment (up to 6 mm), Retrusions adjustment (up to 2 mm), Tilt Support Rods, Vertical Support Rod for Articulator Upper Member Thumb Screw

## **SAM<sup>®</sup> 3 Professional**

All 3 Condylar Housing Pathway Inserts (Curvatures 1-3), all 4 Bennett guidances (straight, minimal, moderate, maximum and immediate sideshift), adjustable incisal table, micro adjustable incisal pin, Protrusion adjustment (up to 6 mm), adjustable Retrusions adjustment (up to 2 mm), Tilt Support Rods, Vertical Support Rod for Articulator Upper Member Thumb Screw



# THE SAM® 3 ARTICULATOR KITS

ART 501K SAM® 3 STARTER KIT I, NT  
 ART 502K SAM® 3 STARTER KIT I, AX  
 ART 516MK SAM® 3 STARTER KIT I, NT MPS  
 ART 517MK SAM® 3 STARTER KIT I, AX  
 ART 551K SAM® 3 STARTER KIT I, NT MPS  
 ART 552K SAM® 3 STARTER KIT I, AX  
 ART 566MK SAM® 3 PROFESSIONAL KIT NT  
 ART 567MK SAM® 3 PROFESSIONAL KIT AX  
 ART 568MK SAM® 3 PROFESSIONAL KIT NT MPS  
 ART 569MK SAM® 3 PROFESSIONAL KIT AX MPS

	ART 501K	ART 502K	ART 516MK	ART 517MK	ART 551K	ART 552K	ART 566MK	ART 567MK	ART 568MK	ART 569MK
01	<b>ART 500</b>	SAM® 3 Basic Articulator	■	■	■	■	■	■	■	■
02	<b>ART 515M</b>	SAM® 3 Basic Articulator, MPS	■	■	■	■	■	■	■	■
03	<b>ATB 303</b>	Anatomic Transfer Bow AXIOQUICK® III	■	■	■	■	■	■	■	■
04	<b>ATB 240006</b>	Hygienic Earpiece Caps (6 pieces)	■	■	■	■	■	■	■	■
05	<b>ATB 392</b>	Nasion Relator AX	■	■	■	■	■	■	■	■
06	<b>ATB 305</b>	Transfer Fork Assembly I-NT, Complete	■	■	■	■	■	■	■	■
07	<b>ATB 395</b>	Transfer Fork Assembly AXIOMATIC®	■	■	■	■	■	■	■	■
08	<b>ATB 398</b>	Transfer Stand AX	■	■	■	■	■	■	■	■
09	<b>ART 120</b>	20 Mounting Plates, Screw Type	■	■	■	■	■	■	■	■
10	<b>MPS 150</b>	20 Mounting Plates for MPS, Yellow	■	■	■	■	■	■	■	■
11	<b>ART 599</b>	Carrying Case	■	■	■	■	■	■	■	■
12	<b>ART 260</b>	Incisal Table, Adjustable	■	■	■	■	■	■	■	■
13	<b>ART 275</b>	Incisal Table planar	■	■	■	■	■	■	■	■
14	<b>ART 520</b>	Incisal Pin IIIIP, complete	■	■	■	■	■	■	■	■
15	<b>ART 533</b>	Incisal Pin IIIIPM micro adjustable	■	■	■	■	■	■	■	■
16	<b>ART 530</b>	Protrusion-/Retrusion Screws	■	■	■	■	■	■	■	■
17	<b>ART 525</b>	Vertical Support Rod for Articulator Upper Member Thumb Screw	■	■	■	■	■	■	■	■
18	<b>ART 526</b>	Tilt Support Rods for Articulator	■	■	■	■	■	■	■	■
19	<b>ART 540</b>	Condylar Housing Pathway Insert, assortment	■	■	■	■	■	■	■	■
20	<b>ART 547</b>	Bennett guidance, assortment II	■	■	■	■	■	■	■	■
21	<b>MOH 560</b>	Centric Mounting Stand	■	■	■	■	■	■	■	■
22	<b>ATB 336</b>	Telescopic Transfer Fork	■	■	■	■	■	■	■	■
23	<b>ATB 337</b>	Magnetic Pad for ATB 336	■	■	■	■	■	■	■	■

# SAM® CAST MOUNTING PLATES

All SAM® Articulators are delivered with either a Thumb Screw or with Magnet Mounting Plate System for normal mounting plates or with magnet mounting for the particularly simple and fast Magnetic-

Mounting Plate System MPS. Both cast mountings are likewise precise. The screw thread version is needed for the AXIOSPLIT® System.

## MOUNTING PLATES WITH SCREW THREAD

- Attached to the articulator by thumb screw assembly
- Rigid retention areas
- Secure attachment to the articulator



## AXIOSPLIT® MOUNTING PLATE

- The patented original split cast system with norm socket and norm incisal pin
- Quick Insertion and quick removal
- Moderate to very secure attachment to the articulator.
- Cheap purchase
- Precise split cast control
- Available in round and oval shapes



## MPS-MAGNET-MOUNTING PLATE YELLOW/GREY

- Quick attachment and removal
- Precise positioning
- Yellow plates WhipMix, Panadent and Hanau 2Pin Articulators
- Grey plates fit Artex, KaVo, Denar, Quick, Balance and Dental-Hoby Articulators

