

## Bands & Attachments



## Maximum Retention Family \*

Master Series	U/L	Series	Size Marking	Size Range	Total
MR1 1st Molar	U	500-000	Laser etch: Size + RU/LU	1½ 13 (13½ upon request, ¼ sizes in midrange)	35
	L	510-000	Laser etch: Size + RL/LL	1½-13 (13½ upon request, ¼ sizes in midrange)	35
MR1-32 1st Molar	U	505-000	Laser etch: UR/UL + Size	1-32 (33-34 upon request)	34
	L	515-000	Laser etch: LR/LL + Size	1-32 (33-34 upon request)	34
MR1 2nd Molar	U	940-000	Laser etch: SUR/SUL + Size	½-10½ (11-12½ upon request)	25
	L	950-000	Laser etch: SLR/SLL + Size	0½ -10½ (11-12½ upon request)	27
<b>Mini Master Series</b>					
MR2 1st Molar	U	540-000	Laser etch: RU/LU + Size	1-32	32
	L	550-000	Laser etch: RL/LL + Size	1-32	32
MR2 2nd Molar	U	600-000	Laser etch: SUR/SUL + Size	1-32 (33-34 upon request)	32
	L	610-000	Laser etch: SLR/SLL + Size	1-32 (33-34 upon request)	32
<b>Bicuspid</b>					
MR Bicuspid	U/L	560-000	Laser etch: Size	1-32	32
	L	570-000	Laser etch: Size + LO	1-32	32

## Contoured Family

Master Series	U/L	Series	Size Marking	Size Range	Total
1st Molar	U	900-000	Laser etch: Size + RU/LU	1½ - 13 (13½ -14½ upon request)	27
	L	910-000	Laser etch: Size + RL/LL	1½ - 13 (13½ -14½ upon request)	27
1st Molar Series - Hard Line	U	840-000	Laser etch: RU/LU + Size	1½ - 13 (¼ sizes in midrange)	34
	L	850-000	Laser etch: RL/LL + Size	1½ - 13 (¼ sizes in midrange)	34
2nd Molar	U	920-000	Laser etch: Size + SRU/SLU	½ - 10½ (11-12½ upon request)	25
	L	930-000	Laser etch: Size + SRL/SLL	0½ - 10½ (11-12½ upon request)	27
<b>Mini Master Series</b>					
1st Molar	U	880-000	Laser etch: RU/LU + Size	1-32 (33 - 36 upon request)	36
	L	890-000	Laser etch: RL/LL + Size	1-32 (33 - 36 upon request)	36
2nd Molar	U	580-000	Laser etch: SRU/SLU + Size	1-32 (33 - 36 upon request)	36
	L	590-000	Laser etch: SRL/SLL + Size	1-32 (33 - 36 upon request)	36
<b>Micro Bands</b>					
1st Molar	U	520-000	Laser etch: UR/UL + Size	A-J	10
	L	530-000	Laser etch: LR/LL + Size	A-J	10
<b>Bicuspid</b>					
1st & 2nd Bicuspid	U	760-000	Laser etch: Size + U	1-32 (33 - 38 upon request)	38
	L	770-000	Laser etch: Size + L	1-32 (33 - 38 upon request)	38

## Anterior Family

Tooth	U/L	Series	Size Marking	Size Range	Total
Central	U	680-000	Size, blue=right / green=left	17-32	16
Lateral	U	720-000	Size, blue=right / green=left	9-23	15
Cuspid	U	740-000	Size, black ink	1-20 (½ sizes included)	25
	L	750-000	Size, red ink	1-16 (½ sizes included)	21
Anterior	L	660-000	Size, black ink	1-15 (½ sizes included)	21

\* U.S. Patent #5,441,409  
European Patent #0637945

# Anatomy of a Maximum Retention Band



## Graduation

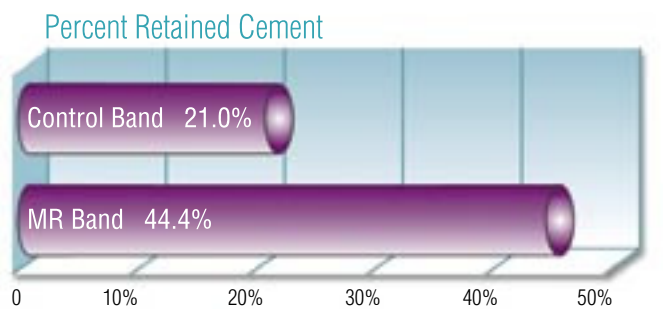
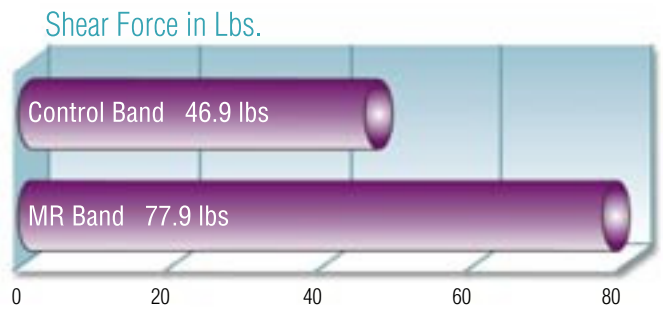
**Fully graduated:** As band's circumference increases, so does occlusal-gingival height, maintaining maximum tooth coverage for each band size

**Incrementally graduated:** Occlusal-gingival height only increases every few band sizes, allowing for low, streamlined profile



## Sizing

Circumferences increase in closely spaced intervals allowing ease and accuracy of band fitting



Retentive strength and the band-cement interface are the two most critical factors when cementing bands. The data clearly demonstrates the superior performance of Maximum Retention bands versus bands formed from non MR material.



# MAXIMUM RETENTION

## Master Series

### MR1 1st Molar Bands



500-000 UPPER  
510-000 LOWER

Maximum Retention photo etched material virtually eliminates loose bands. MR1 is American Orthodontics' most popular band. It combines .007 thickness material with a medium stiff temper and full graduation of sizes to provide a sturdy, full coverage band. Anatomical right and left contouring and 1/4 sizes in the midrange make for easy and accurate band fittings.

#### 500-000/510-000

Material 0.007 Thickness  
Temper Medium Stiff  
Height Fully Graduated  
Sizing U&L: 1½ - 13 (13½ upon request)  
Specific Right or Left Design  
Laser Etched Sizes:  
UPPER: Size & RU/LL  
LOWER: Size & RL/LL

#### 500-000 / 510-000 BAND KITS - SIZE DISTRIBUTION - Half rights and half lefts per kit

BAND SIZE	1½	2	2½	3	3½	4	4¼	4½	4¾	5	5¼	5½	5¾	6	6¼	6½	6¾	7	7¼	7½	7¾	8	8¼	8½	8¾	9	9½	10	10½	11	11½	12	12½	13	TOTAL PER SIDE	
100 KIT	1	1	1	1	1	1	1	1	2	2	2	2	3	3	3	3	2	2	2	2	1	1	1	1	1	1	1	1	1	1	1	1	1	1	1	50
300 KIT	2	2	2	2	3	3	4	4	4	6	6	8	8	8	8	8	8	6	6	6	6	4	4	4	4	4	3	3	3	3	2	2	2	2	2	150
600 KIT	4	4	4	6	6	6	8	8	8	10	10	20	20	20	20	20	10	10	10	10	10	8	8	8	8	6	6	6	6	4	4	4	4	4	4	300

### MR1-32 1st Molar Bands



505-000 UPPER  
515-000 LOWER

The MR1-32 offers the same design and benefits as the MR1 1st Molar, with whole sizes labeled 1 through 32.

#### 505-000/515-000

Material 0.007 Thickness  
Temper Medium Stiff  
Height Fully Graduated  
Sizing U&L: 1 - 32 (33-34 upon request)  
Specific Right or Left Design  
Laser Etched Sizes:  
UPPER: UR/UL & Size  
LOWER: LR/LL & Size



WHAT'S NEW!

#### 505-000 / 515-000 BAND KITS - SIZE DISTRIBUTION - Half rights and half lefts per kit

BAND SIZE	1	2	3	4	5	6	7	8	9	10	11	12	13	14	15	16	17	18	19	20	21	22	23	24	25	26	27	28	29	30	31	32	TOTAL PER SIDE		
100 KIT	1	1	1	1	1	1	1	1	2	2	2	2	3	3	3	3	3	2	2	2	2	1	1	1	1	1	1	1	1	1	1	1	1	50	
300 KIT	2	2	2	2	3	3	4	4	4	6	6	8	8	8	8	8	8	8	6	6	6	6	4	4	4	4	3	3	3	3	2	2	2	150	
600 KIT	4	4	4	6	6	6	8	8	8	10	10	20	20	20	20	20	20	10	10	10	10	8	8	8	8	6	6	6	6	4	4	4	4	4	300

# MAXIMUM RETENTION

## Master Series

### MR1 2nd Molar Bands



940-000 UPPER  
950-000 LOWER

Maximum Retention photo etched material provides an extra measure of protection against loose bands in the sensitive 2nd molar region. MR 2nd molar bands perfectly complement MR1 1st molar bands. Anatomical right and left design assures accurate fit, while regular temper allows easy adaptation to individual patients' tooth morphology.

#### 940-000/950-000

Material 0.007 Thickness  
Temper Regular  
Height Fully Graduated  
Sizing U: ½ - 10½ (11-12½ upon request)  
L: 0½ - 10½ (11-12½ upon request)  
Specific Right or Left Design  
Laser Etched Sizes:  
UPPER: SUR/SUL & Size  
LOWER: SLR/SLL & Size



#### 940-000 BAND KITS - SIZE DISTRIBUTION - Half rights and half lefts per kit

BAND SIZE	½	1	1½	2	2½	3	3½	4	4½	5	5½	6	6½	7	7½	8	8½	9	9½	10	10½	TOTAL PER SIDE
100 KIT	1	1	2	2	2	2	3	3	4	4	4	4	3	3	2	2	2	2	2	1	1	50
300 KIT	2	4	6	6	8	8	8	8	12	12	12	12	8	8	8	8	6	4	4	4	2	150
600 KIT	4	8	12	12	16	16	16	16	24	24	24	24	16	16	16	16	12	8	8	8	4	300

#### 950-000 BAND KITS - SIZE DISTRIBUTION - Half rights and half lefts per kit

BAND SIZE	0½	0	½	1	1½	2	2½	3	3½	4	4½	5	5½	6	6½	7	7½	8	8½	9	9½	10	10½	TOTAL PER SIDE
100 KIT	1	1	1	1	1	2	3	3	3	4	4	4	4	3	3	3	2	2	1	1	1	1	1	50
300 KIT	2	2	2	4	6	8	8	8	8	12	12	12	12	8	8	8	8	6	4	4	4	2	2	150
600 KIT	6	6	6	6	6	6	12	18	18	18	24	24	24	24	18	18	18	12	12	6	6	6	6	300



# MAXIMUM RETENTION

## Mini Master Series

### MR2 1st Molar Bands



540-000 UPPER

550-000 LOWER

Maximum Retention photo etched material virtually eliminates loose bands. The streamlined, highly anatomical design of the MR2 band makes it extremely accurate and tight-fitting. The reduced interproximal heights minimize tissue impingement and gapping at the gingival margins.

#### 540-000/550-000

Material 0.006 Thickness  
 Temper Medium Stiff  
 Height Incrementally Graduated  
 Sizing U&L: 1 - 32  
 Specific Right or Left Design  
 Laser Etched Sizes:  
 UPPER: RU/LU & Size  
 LOWER: RL/LL & Size

#### 540-000 / 550-000 BAND KITS - SIZE DISTRIBUTION - Half rights and half lefts per kit

BAND SIZE	1	2	3	4	5	6	7	8	9	10	11	12	13	14	15	16	17	18	19	20	21	22	23	24	25	26	27	28	29	30	31	32	TOTAL PER SIDE
100 KIT	1	1	1	1	1	1	1	1	1	1	1	2	2	2	2	2	2	4	4	2	2	2	2	2	2	1	1	1	1	1	1	1	50
300 KIT	2	2	2	2	2	2	2	2	4	4	4	4	4	6	6	6	8	8	8	8	8	8	8	8	6	6	6	6	2	2	2	2	150
600 KIT	4	4	4	4	4	4	4	4	8	8	8	8	8	12	12	12	16	16	16	16	16	16	16	16	12	12	12	12	4	4	4	4	300

### MR2 2nd Molar Bands



600-000 UPPER

610-000 LOWER

Maximum Retention photo etched material provides an extra measure of protection against loose bands in the sensitive 2nd molar region. MR2 2nd molar bands offer the same design features as the MR2 1st molar bands yet are contoured with careful attention to the 2nd molar anatomy.

#### 600-000/610-000

Material 0.006 Thickness  
 Temper Medium Stiff  
 Height Incrementally Graduated  
 Sizing U&L: 1 - 32 (33-34 upon request)  
 Specific Right or Left Design  
 Laser Etched Sizes:  
 UPPER: SUR/SUL & Size  
 LOWER: SLR/SLL & Size



#### 600-000 / 610-000 BAND KITS - SIZE DISTRIBUTION - Half rights and half lefts per kit

BAND SIZE	1	2	3	4	5	6	7	8	9	10	11	12	13	14	15	16	17	18	19	20	21	22	23	24	25	26	27	28	29	30	31	32	TOTAL PER SIDE
100 KIT	1	1	1	1	1	1	1	1	1	1	1	2	2	2	2	2	2	4	4	2	2	2	2	2	2	1	1	1	1	1	1	1	50
300 KIT	2	2	2	2	2	2	2	2	4	4	4	4	4	6	6	6	8	8	8	8	8	8	8	8	6	6	6	6	2	2	2	2	150
600 KIT	4	4	4	4	4	4	4	4	8	8	8	8	8	12	12	12	16	16	16	16	16	16	16	16	12	12	12	12	4	4	4	4	300



**MAXIMUM RETENTION**

**Bicuspid**



**WHAT'S NEW!**

# MR Universal Bicuspid Bands

Upper 1st / 2nd and Lower 1st



## 560-000 UNIVERSAL

Maximum Retention photo-etched material virtually eliminates loose bands. MR bicuspid bands are universal, offering accurate, tight-fitting bands for first and second upper bicuspids and first lower bicuspids.

### 560-000

Material 0.0055 Thickness  
 Temper Medium Stiff  
 Height Fully Graduated  
 Sizing U&L: 1 - 32  
 Universal Right or Left Design  
 Laser Etched Sizes:  
 UPPER / (LOWER 1st): Size

### 560-000 BAND KITS - SIZE DISTRIBUTION

BAND SIZE	1	2	3	4	5	6	7	8	9	10	11	12	13	14	15	16	17	18	19	20	21	22	23	24	25	26	27	28	29	30	31	32	TOTAL PER KIT
100 KIT	1	1	1	1	1	2	2	4	4	4	4	5	5	5	5	5	5	5	5	5	5	5	4	4	4	2	1	1	1	1	1	1	100
300 KIT	4	4	4	4	4	4	4	8	8	8	12	16	16	16	16	16	16	16	16	16	16	16	12	8	8	8	4	4	4	4	4	4	300
500 KIT	4	4	4	6	6	10	10	18	18	18	18	26	26	26	26	26	26	26	26	26	26	26	18	18	18	10	10	6	6	4	4	4	500

# MR Lower 2nd Bicuspid Bands



## 570-000 LOWER 2ND BICUSPID

Specifically designed to address the difficulties encountered when banding the lower 2nd bicuspid. Offers accurate contouring specific to lower 2nd bicuspids and features properly proportioned buccal and lingual heights. Maximum Retention photo etched material virtually eliminates loose bands.

### 570-000

Material 0.0055 Thickness  
 Temper Medium Stiff  
 Height Fully Graduated  
 Sizing L: 1 - 32  
 Universal Right or Left Design  
 Laser Etched Sizes:  
 LOWER: Size

### 570-000 BAND KITS - SIZE DISTRIBUTION

BAND SIZE	1	2	3	4	5	6	7	8	9	10	11	12	13	14	15	16	17	18	19	20	21	22	23	24	25	26	27	28	29	30	31	32	TOTAL PER KIT
100 KIT	1	1	1	1	1	2	2	4	4	4	4	5	5	5	5	5	5	5	5	5	5	5	4	4	4	2	1	1	1	1	1	1	100
300 KIT	4	4	4	4	4	4	4	8	8	8	12	16	16	16	16	16	16	16	16	16	16	16	12	8	8	8	4	4	4	4	4	4	300
500 KIT	4	4	4	6	6	10	10	18	18	18	18	26	26	26	26	26	26	26	26	26	26	26	18	18	18	10	10	6	6	4	4	4	500

# CONTOURED

## Master Series

### 1st Molar Bands

This band design is available in MR material

See page 92  
500-000/510-000 Bands



#### REGULAR TEMPER

900-000 UPPER

910-000 LOWER

A traditional full height band for the doctor who prefers maximum tooth coverage with all of the features of a contoured band. Regular temper gives this band universal appeal and makes it easy to place and adapt, with no distortion of form.

#### 900-000/910-000

Material 0.007 Thickness  
Temper Regular  
Height Fully Graduated  
Sizing U&L: 1½ - 13 (13½-14½ upon request)  
Specific Right or Left Design  
Laser Etched Sizes:  
UPPER: Size & RU/LU  
LOWER: Size & RL/LL

#### 900-000 / 910-000 BAND KITS - SIZE DISTRIBUTION - Half rights and half lefts per kit

BAND SIZE	1½	2	2½	3	3½	4	4½	5	5½	6	6½	7	7½	8	8½	9	9½	10	10½	11	11½	12	12½	13	TOTAL PER SIDE
100 KIT	1	1	1	1	2	3	3	3	4	4	4	4	3	3	3	2	1	1	1	1	1	1	1	1	50
300 KIT	2	2	2	2	4	6	10	10	12	12	12	12	10	10	10	6	6	6	4	4	2	2	2	2	150
600 KIT	4	4	4	4	8	12	20	20	24	24	24	24	20	20	20	20	12	8	8	4	4	4	4	4	300



#### "H" SERIES - HARD TEMPER

840-000 UPPER

850-000 LOWER

For the orthodontist who wants all the features of a full height band, but with a stiff temper. To ensure a perfect fit, 1/4 sizes are available through the midrange.

#### 840-000/850-000

Material 0.007 Thickness  
Temper Stiff  
Height Fully Graduated  
Sizing U&L: 1½ - 13 with ¼ in Midrange  
Specific Right or Left Design  
Laser Etched Sizes:  
UPPER: RU/LU & Size  
LOWER: RL/LL & Size

#### 840-000 / 850-000 BAND KITS - SIZE DISTRIBUTION - Half rights and half lefts per kit

BAND SIZE	1½	2	2½	3	3½	4	4¼	4½	4¾	5	5¼	5½	5¾	6	6¼	6½	6¾	7	7¼	7½	7¾	8	8¼	8½	8¾	9	9½	10	10½	11	11½	12	12½	13	TOTAL PER SIDE
100 KIT	1	1	1	1	1	1	1	1	2	2	2	2	3	3	3	3	2	2	2	2	1	1	1	1	1	1	1	1	1	1	1	1	1	1	50
300 KIT	2	2	2	2	3	3	4	4	4	6	6	8	8	8	8	8	8	6	6	6	6	4	4	4	4	4	3	3	3	3	2	2	2	2	150
600 KIT	4	4	4	4	6	6	8	8	8	10	10	16	16	16	16	16	16	10	10	10	10	8	8	8	8	6	6	6	6	4	4	4	4	4	300





# CONTOURED

# Master Series

## 2nd Molar Bands

This band design is available in MR material

See page 93  
940-000/950-000 Bands



920-000 UPPER

930-000 LOWER

Designed as a companion to the Master Series 1st molar bands, these bands offer similar features with special attention to the 2nd molar anatomy.

### 920-000/930-000

Material 0.007 Thickness  
 Temper Regular  
 Height Fully Graduated  
 Sizing U: ½ - 10½ (11-12½ upon request)  
 L: 0½ - 10½ (11-12½ upon request)  
 Specific Right or Left Design  
 Laser Etched Sizes:  
 UPPER: Size & SRU/SLU  
 LOWER: Size & SRL/SLL

### 920-000 BAND KITS - SIZE DISTRIBUTION - Half rights and half lefts per kit

BAND SIZE	½	1	1½	2	2½	3	3½	4	4½	5	5½	6	6½	7	7½	8	8½	9	9½	10	10½	TOTAL PER SIDE
100 KIT	1	1	2	2	2	2	3	3	4	4	4	4	3	3	2	2	2	2	2	1	1	50
300 KIT	2	4	6	6	8	8	8	8	12	12	12	12	8	8	8	8	6	4	4	4	2	150
600 KIT	4	8	12	12	16	16	16	16	24	24	24	24	16	16	16	16	12	8	8	8	4	300

### 930-000 BAND KITS - SIZE DISTRIBUTION - Half rights and half lefts per kit

BAND SIZE	0½	0	½	1	1½	2	2½	3	3½	4	4½	5	5½	6	6½	7	7½	8	8½	9	9½	10	10½	TOTAL PER SIDE
100 KIT	1	1	1	1	1	2	3	3	3	4	4	4	4	3	3	3	2	2	1	1	1	1	1	50
300 KIT	2	2	2	4	6	8	8	8	8	12	12	12	12	8	8	8	8	6	4	4	4	2	2	150
600 KIT	6	6	6	6	6	6	12	18	18	18	24	24	24	24	18	18	18	12	12	6	6	6	6	300



# CONTOURED Mini Master Series

## 1st Molar Bands



880-000 UPPER

890-000 LOWER

Doctors who prefer a highly contoured anatomy coupled with reduced interproximal heights will appreciate the Mini Master Series 1st molar bands.



### 880-000/890-000

Material 0.006 Thickness  
 Temper Medium Stiff  
 Height Incrementally Graduated  
 Sizing U&L: 1 - 32 (33-36 upon request)  
 Specific Right or Left Design  
 Laser Etched Sizes:  
 UPPER: RU/LU & Size  
 LOWER: RL/LL & Size

### 880-000 / 890-000 BAND KITS - SIZE DISTRIBUTION - Half rights and half lefts per kit

BAND SIZE	1	2	3	4	5	6	7	8	9	10	11	12	13	14	15	16	17	18	19	20	21	22	23	24	25	26	27	28	29	30	31	32	TOTAL PER SIDE
100 KIT	1	1	1	1	1	1	1	1	1	1	1	2	2	2	2	2	2	4	4	2	2	2	2	2	2	1	1	1	1	1	1	1	50
300 KIT	2	2	2	2	2	2	2	2	4	4	4	4	4	6	6	6	8	8	8	8	8	8	8	8	6	6	6	6	2	2	2	2	150
600 KIT	4	4	4	4	4	4	4	4	8	8	8	8	8	12	12	12	16	16	16	16	16	16	16	16	12	12	12	12	4	4	4	4	300

## 2nd Molar Bands



580-000 UPPER

590-000 LOWER

Complementary to the Mini Master Series 1st molar bands, these 2nd molar bands incorporate the same features and benefits in a band specifically contoured for 2nd molars.



### 580-000/590-000

Material 0.006 Thickness  
 Temper Medium Stiff  
 Height Incrementally Graduated  
 Sizing U&L: 1 - 32 (33-36 upon request)  
 Specific Right or Left Design  
 Laser Etched Sizes:  
 UPPER: SRU/SLU & Size  
 LOWER: SRL/SLL & Size

### 580-000 / 590-000 BAND KITS - SIZE DISTRIBUTION - Half rights and half lefts per kit

BAND SIZE	1	2	3	4	5	6	7	8	9	10	11	12	13	14	15	16	17	18	19	20	21	22	23	24	25	26	27	28	29	30	31	32	TOTAL PER SIDE
100 KIT	1	1	1	1	1	1	1	1	1	1	1	2	2	2	2	2	2	4	4	2	2	2	2	2	2	1	1	1	1	1	1	1	50
300 KIT	2	2	2	2	2	2	2	2	4	4	4	4	4	6	6	6	8	8	8	8	8	8	8	8	6	6	6	6	2	2	2	2	150
600 KIT	4	4	4	4	4	4	4	4	8	8	8	8	8	12	12	12	16	16	16	16	16	16	16	16	12	12	12	12	4	4	4	4	300

# CONTOURED

## Micro 1st Molar Bands



520-000 UPPER

530-000 LOWER

Designed to fit smaller sized permanent 1st molars. Available either individually or in pre-determined size distribution kits of 120 units (30 pieces/quadrant). Sizes A-J (J is the largest).

### 520-000/530-000

Material 0.006 Thickness  
 Temper Regular  
 Height Incrementally Graduated  
 Sizing U&L: A - J  
 Specific Right or Left Design  
 Laser Etched Sizes:  
 UPPER: UR/UL & Size  
 LOWER: LR/LL & Size

### 420-000 MICRO MOLAR KIT

Kit of 120 prewelded bands with attachments (30 pieces/quadrant)

*Speak with an ordering representative for tube and lingual options.*

### MICRO MOLAR BAND KITS - SIZE DISTRIBUTION

BAND SIZE	A	B	C	D	E	F	G	H	I	J	TOTAL PER SIDE
UPPER	4	4	4	6	6	6	6	8	8	8	30
LOWER	4	4	4	6	6	6	6	8	8	8	30

## Bicuspid Bands



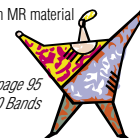
760-000 UPPER

770-000 LOWER

Designed to fit 1st or 2nd bicuspids, right or left. They are gingivally contoured for patient comfort. Proper temper assures an easy, secure fit.

This band design is available in MR material

See page 95  
560-000/570-000 Bands



### 760-000/770-000

Material 0.005 Thickness  
 Temper Regular  
 Height Fully Graduated  
 Sizing U&L: 1 - 32 (33-38 upon request)  
 Universal Right or Left Design  
 Laser Etched Sizes:  
 UPPER: Size & U  
 LOWER: Size & L

### 760-000 / 770-000 BAND KITS - SIZE DISTRIBUTION

BAND SIZE	1	2	3	4	5	6	7	8	9	10	11	12	13	14	15	16	17	18	19	20	21	22	23	24	25	26	27	28	29	30	31	32	TOTAL PER KIT
100 KIT	1	1	1	1	1	2	2	4	4	4	4	5	5	5	5	5	5	5	5	5	5	5	4	4	4	2	1	1	1	1	1	1	100
300 KIT	4	4	4	4	4	4	4	8	8	8	12	16	16	16	16	16	16	16	16	16	16	16	12	8	8	8	4	4	4	4	4	4	300
500 KIT	4	4	4	6	6	10	10	18	18	18	18	26	26	26	26	26	26	26	26	26	26	26	18	18	18	10	10	6	6	4	4	4	500



# ANTERIORS

## Cuspid Bands



740-000 UPPER

750-000 LOWER

Precision temper eliminates loose bands. Labio-incisal extension eliminates tearing or folding up.

### 740-000/750-000

Material 0.004 Thickness  
 Temper Regular  
 Sizing U: 1 - 20 with 1/2 in Midrange  
 L: 1 - 16 with 1/2 in Midrange  
 Universal Right or Left Design  
 Color Inked Sizes:  
 UPPER: Size in Black  
 LOWER: Size in Red

### 740-000 BAND KITS - SIZE DISTRIBUTION

BAND SIZE	1	2	3	4	5	6	7	8	8½	9	9½	10	10½	11	11½	12	12½	13	14	15	16	17	18	19	20	TOTAL PER KIT
150 KIT	2	2	2	6	6	8	8	8	8	8	8	8	8	8	8	8	8	8	8	6	6	2	2	2	2	150
200 KIT	2	2	2	6	6	12	12	12	12	12	12	12	12	12	12	12	12	10	10	6	4	2	2	2	2	200
250 KIT	2	2	2	6	6	14	14	14	14	14	16	16	16	16	16	16	14	14	14	12	4	2	2	2	2	250

### 750-000 BAND KITS - SIZE DISTRIBUTION

BAND SIZE	1	2	3	4	5	5½	6	6½	7	7½	8	8½	9	9½	10	11	12	13	14	15	16	TOTAL PER KIT
150 KIT	2	4	4	4	8	8	8	8	12	12	12	12	10	10	10	10	8	2	2	2	2	150
200 KIT	2	4	4	10	12	12	12	12	12	12	14	14	14	14	14	14	12	4	4	2	2	200
250 KIT	2	2	2	10	14	14	14	14	18	18	20	20	20	20	20	16	14	4	4	2	2	250

## Lateral Bands



720-000 UPPER

Proper distal curvature for the severely sloped upper lateral.

### 720-000

Material 0.004 Thickness  
 Temper Regular  
 Sizing U: 9 - 23  
 Specific Right or Left Design  
 Color Inked Sizes:  
 RIGHT: Size in blue  
 LEFT: Size in green

### 720-000 BAND KITS - SIZE DISTRIBUTION - Half rights and half lefts per kit

BAND SIZE	9	10	11	12	13	14	15	16	17	18	19	20	21	22	23	TOTAL PER SIDE
150 KIT	3	6	6	6	6	6	6	6	6	6	6	6	2	2	2	75
200 KIT	4	7	8	8	8	8	8	8	8	8	8	8	3	3	3	100
500 KIT	15	20	20	20	20	20	20	20	20	20	20	20	5	5	5	250

# ANTERIORS

## Central Bands



### 680-000 UPPER

Precisely tapered for tighter fit at gingival and incisal. Accurate contour eliminates the distal incisal gap.

#### 680-000

Material 0.004 Thickness  
 Temper Regular  
 Sizing U: 18 - 31 (17 & 32 upon request)  
 Specific Right or Left Design  
 Color Inked Sizes:  
 RIGHT: Size in blue  
 LEFT: Size in green

### 680-000 BAND KITS - SIZE DISTRIBUTION - Half rights and half lefts per kit

BAND SIZE	18	19	20	21	22	23	24	25	26	27	28	29	30	31	TOTAL PER SIDE
150 KIT	3	3	5	5	7	7	7	7	7	7	5	5	4	3	75
200 KIT	4	4	7	7	9	9	9	9	9	9	8	7	5	4	100
500 KIT	4	8	18	18	25	25	25	25	25	25	18	18	12	4	250

## Lower Anterior Bands



### 660-000 LOWER

Regular temper and accurate contour for perfect fit.

#### 660-000

Material 0.004 Thickness  
 Temper Regular  
 Sizing L: 1 - 15 with ½ in Midrange  
 Universal Right or Left Design  
 Color Inked Sizes:  
 LOWER: Size in black

### 660-000 BAND KITS - SIZE DISTRIBUTION

BAND SIZE	1	2	3	3½	4	4½	5	5½	6	6½	7	7½	8	8½	9	10	11	12	13	14	15	TOTAL PER KIT
150 KIT	2	2	2	10	10	10	10	10	10	10	10	10	10	10	8	8	6	6	2	2	2	150
200 KIT	4	4	4	12	12	12	12	12	12	12	12	12	12	12	12	10	10	4	4	4	200	
500 KIT	4	4	14	30	36	36	36	36	36	36	36	36	36	36	20	20	20	10	10	4	4	500

# Band Material

## Band Blanks - 1 piece

### CUSPID

850-620	.003 x .160
850-621	.004 x .160

### OFFSET CUSPID

850-630	.003 x .160
850-631	.004 x .160

### BICUSPID

850-640	.003 x .125
850-641	.003 x .150
850-642	.004 x .125
850-643	.004 x .150

### UPPER MOLAR

850-650	.005 x .180
850-651	.006 x .180

### LOWER MOLAR

850-660	.005 x .180
850-661	.006 x .180

## Rolled Band Material - 8' / 2.44 m

850-001	.003 x .100
850-002	.003 x .125
850-003	.003 x .150
850-004	.003 x .160
850-005	.003 x .170
850-006	.003 x .180
850-011	.004 x .100
850-012	.004 x .125
850-013	.004 x .150
850-014	.004 x .160
850-015	.004 x .170
850-016	.004 x .180
850-021	.005 x .150
850-022	.005 x .160
850-023	.005 x .170
850-024	.005 x .180
850-031	.006 x .150
850-032	.006 x .160
850-033	.006 x .170
850-034	.006 x .180
850-035	.006 x .220

## Precut Strips - 2' / 50.8 mm

850-041	.003 x .100
850-042	.003 x .125
850-043	.003 x .150
850-051	.004 x .100
850-052	.004 x .125
850-053	.004 x .150
850-054	.004 x .160

851-805



### Direct Bond or Band Storage Kit Box

- When ordering for bands, please indicate tooth or band series
- Blue plastic with white insert for direct bonds or bands
- 10 1/2" w x 7" d x 1 1/8" h  
(26.7 cm x 17.8 cm x 2.9 cm)

851-805

851-808  
(4 shown)



### Stackable Storage Kit Box

- When ordering for bands, please indicate tooth or band series
- Beige plastic with white insert
- For direct bonds or bands
- Plastic boxes can be locked together for easy stacking
- 11 1/4" w x 8 5/8" d x 1 1/2" h  
(28.6 cm x 21.1 cm x 3.8 cm)

851-808

851-814



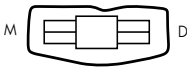
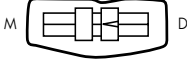
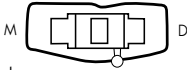
### Band Storage Box

- When ordering for bands, please indicate tooth or band series
- White cardstock construction with durable, hinged lid secured by Velcro tabs
- For direct bond or bands
- Size: 11" w x 7 3/8" d x 1 1/8" h  
(28 cm x 18.7 cm x 2.9 cm)



851-814

# Standard Positioning of Lingual Attachments

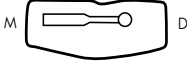
## Sheaths

852-110 852-111 852-130 852-131	
<b>MOLARS:</b> Centered mesial/distal/gingival/occlusal	
852-120 852-121 852-123 - with mesial/distal bar 852-140 852-141 852-141B - with ball hook mesial/gingival 852-142 - with mesial/distal bar 852-143 - with mesial/distal bar	
<b>MOLARS:</b> Centered mesial/distal/gingival/occlusal. <b>Indent distal on uppers. Indent must be stated on lowers.</b>	
852-146 - 7° Rotation, short hook distal 852-146A - Long hook distal	
<b>MOLARS:</b> Centered mesial/distal/gingival/occlusal	



## Eyelets

852-150	
<b>CENTRALS, LATERALS, LOWER ANTERIORS, CUSPIDS, BICUSPIDS:</b> Centered mesial/distal and slightly occlusal of center	
852-150	
<b>MOLARS:</b> Centered mesial/distal and slightly occlusal of center	




## Ball Hooks

852-163 - straight 852-182 - long offset 852-183 - short offset	
<b>MOLARS:</b> Welded toward mesial side of the band with the ball hook facing distal. Slightly occlusal of center.	

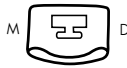
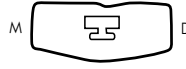
## Buttons

852-170 - flat used on cuspid 852-171 - deep curve used on bicuspid/molars	
<b>CUSPIDS, BICUSPIDS:</b> Centered mesial/distal/gingival/occlusal	
852-169 - slight curve used on molars 852-171 - deep curve used on bicuspid/molars	
<b>MOLARS:</b> Centered on the mesial cusp and slightly occlusal of center	

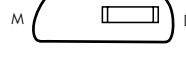

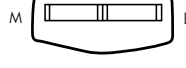
## Cleats

852-165 852-166	
<b>CUSPIDS, BICUSPIDS:</b> Centered mesial/distal and slightly occlusal of center	
852-165 852-166	
<b>MOLARS:</b> Centered on the mesial cusp and slightly occlusal of center	
852-167 852-168	
<b>MOLARS:</b> Centered mesial/distal and slightly occlusal of center	

## Elastic Lugs

852-190 - curved 852-192 - flat	
<b>CENTRALS, LATERALS, LOWER ANTERIORS, CUSPIDS, BICUSPIDS:</b> Centered mesial/distal and slightly occlusal of center	
852-190 - curved 852-192 - flat	
<b>MOLARS:</b> Centered mesial/distal and slightly occlusal of center	

## Seating Lugs

852-160	
<b>CENTRALS, LATERALS:</b> Welded on the distal 1/3 and slightly occlusal of center	
852-160 - Anterior and cuspids 852-161 - Bicuspid	
<b>LOWER ANTERIORS, CUSPIDS, BICUSPIDS:</b> Centered mesial/distal and slightly occlusal of center	
852-164	
<b>MOLARS:</b> Centered mesial/distal and slightly occlusal of center	
<b>NOTE:</b> Double lug standard on molars unless otherwise specified	