

Lingual Attachments





Lingual Appliances

Bondable Retainer

- Anatomical form and offset pads
- Minimum order 5 per size

Upper Central to Central .028 diameter		Upper Lateral to Lateral .028 diameter		Lower Cuspid to Cuspid .032 diameter	
4 mm	855-286	14 mm	855-311	22 mm	855-285
6 mm	855-287	16 mm	855-312	24 mm	855-281
9 mm	855-288	18 mm	855-313	26 mm	855-282
Kit of 20	855-290	20 mm	855-314	28 mm	855-283
		Kit of 20	855-310	30 mm	855-284
				Kit of 20	855-280



Bondable Tongue Director

- Prevents tongue thrust, thumb sucking
- 7 mm bendable length
- 10 pieces per package
- .028 diameter

292-185



Diastema Closer

- Active until contact is made, then becomes passive and retains
- Universal size

Spring 855-251
Direct bond tube 855-252

Kit 855-250

10 springs
20 tubes
10 sectional wires - .017 x .017

Lingual Attachments

Tubes/Sheaths

WITH LATCHING INDENT

The indent assists in locking the arch in position

- 852-120 - for .030 wire doubled
- 852-121 - for .036 wire doubled
- 852-123 - for .036 wire doubled with mesio-distal rod

Minimum order-10 pieces per part number



SLOTTED WITHOUT LATCHING INDENT

- 852-130 - for .030 wire doubled
- 852-131 - for .036 wire doubled
- 852-131B - with ball hook D-G
- 852-133 - for .036 wire doubled with mesio-distal rod

Minimum order-10 pieces per part number



SLOTTED WITH LATCHING INDENT

The indent assists in locking the arch in position

- 852-140 - for .030 wire doubled
- 852-141 - for .036 wire doubled
- 852-141B - with 4.5 mm mesio-gingival ball hook

Minimum order-10 pieces per part number



SLOTTED WITH LATCHING INDENT AND MESIO-DISTAL BAR

The indent assists in locking the arch in position

- 852-142 - for .030 wire doubled
- 852-143 - for .036 wire doubled

Minimum order-10 pieces per part number



SLOTTED WITH ROTATION AND BALL HOOK DISTAL

- 852-146 - for .036 wire doubled, 7° rotation, small hook
- 852-146A - for .036 wire doubled, 7° rotation, large hook (shown)

Minimum order-10 pieces per part number



Eyelets

WELDABLE STRIP FORM

852-150

Sold in units of 100



BONDABLE

594-150

10 pieces per package

BONDABLE COIL EYELET

294-185 - flat

292-186 - curved, closed

292-187 - curved, open - slip chain onto coil

10 pieces per package



Seating Lugs

852-160 - flat strip form

852-161 - curved strip form

852-164 - molar lug

100 pieces per package



Auxiliary Hook

852-180

100 pieces per package



Buttons

WELDABLE

852-170 - flat

852-171 - curved

Sold in units of 100



BONDABLE

294-170 - flat

292-171 - curved

10 pieces per package



Gull Wing Cleats

WELDABLE

852-165 - gull wing

Sold in units of 100



BONDABLE

593-165 - gull wing

10 pieces per package



Low Profile Cleats

WELDABLE

852-166 - cuspid, bicuspid

852-167 - molars

852-168 - molars

Sold in units of 100



BONDABLE

593-166

10 pieces per package

Elastic Lugs

WELDABLE STRIP FORM

852-190 - curved

852-192 - flat

Sold in units of 100



BONDABLE

593-190 - curved

593-192 - flat

10 pieces per package



Ball Hooks

852-163 - straight

852-182 - short ball hook, long offset

852-183 - short ball hook, short offset

Sold in units of 100



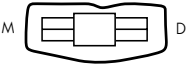
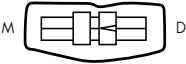
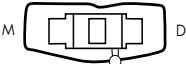
852-182





852-183

Standard Positioning of Lingual Attachments

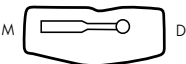
Sheaths

852-110 852-111 852-130 852-131	
MOLARS: Centered mesial/distal/gingival/occlusal	
852-120 852-121 852-123 - with mesial/distal bar 852-140 852-141 852-141B - with ball hook mesial/gingival 852-142 - with mesial/distal bar 852-143 - with mesial/distal bar	
MOLARS: Centered mesial/distal/gingival/occlusal. Indent distal on uppers. Indent must be stated on lowers.	
852-146 - 7° Rotation, short hook distal 852-146A - Long hook distal	
MOLARS: Centered mesial/distal/gingival/occlusal	


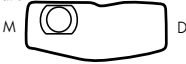
Eyelets

852-150	
CENTRALS, LATERALS, LOWER ANTERIORS, CUSPIDS, BICUSPIDS: Centered mesial/distal and slightly occlusal of center	
852-150	
MOLARS: Centered mesial/distal and slightly occlusal of center	


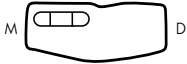

Ball Hooks

852-163 - straight 852-182 - long offset 852-183 - short offset	
MOLARS: Welded toward mesial side of the band with the ball hook facing distal. Slightly occlusal of center.	



Buttons

852-170 - flat used on cuspid 852-171 - deep curve used on bicuspid/molars	
CUSPIDS, BICUSPIDS: Centered mesial/distal/gingival/occlusal	
852-169 - slight curve used on molars 852-171 - deep curve used on bicuspid or molars	
MOLARS: Centered on the mesial cusp and slightly occlusal of center	

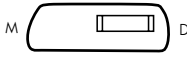


Cleats

852-165 852-166	
CUSPIDS, BICUSPIDS: Centered mesial/distal and slightly occlusal of center	
852-165 852-166	
MOLARS: Centered on the mesial cusp and slightly occlusal of center	
852-167 852-168	
MOLARS: Centered mesial/distal and slightly occlusal of center	

Elastic Lugs

852-190 - curved 852-192 - flat	
CENTRALS, LATERALS, LOWER ANTERIORS, CUSPIDS, BICUSPIDS: Centered mesial/distal and slightly occlusal of center	
852-190 - curved 852-192 - flat	
MOLARS: Centered mesial/distal and slightly occlusal of center	

Seating Lugs

852-160	
CENTRALS, LATERALS: Welded on the distal 1/3 and slightly occlusal of center	
852-160 - Anterior and cuspids 852-161 - Bicuspid	
LOWER ANTERIORS, CUSPIDS, BICUSPIDS: Centered mesial/distal and slightly occlusal of center	
852-164	
MOLARS: Centered mesial/distal and slightly occlusal of center	
NOTE: Double lug standard on molars unless otherwise specified	